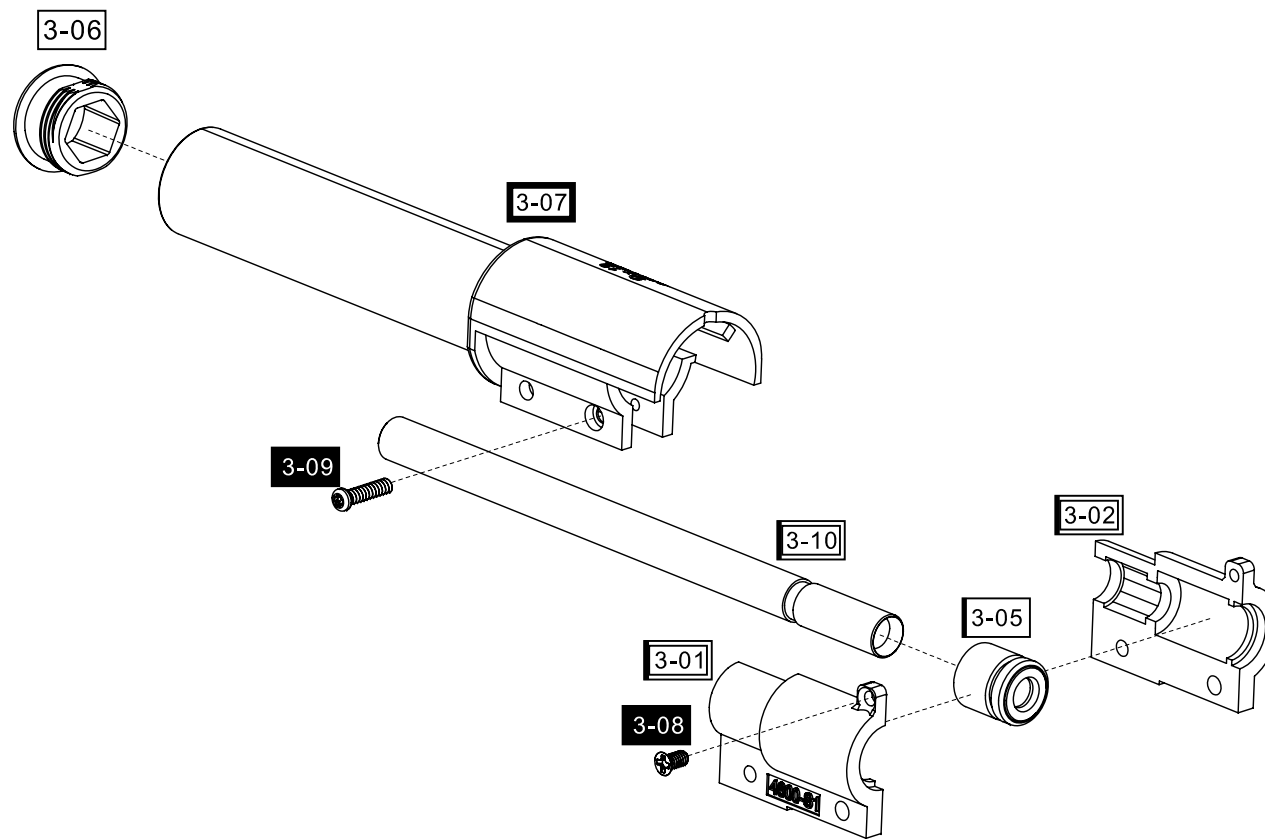


Part in 16086-1



Part in 16086-2

